

## PRELIMINARY

**Power Ring Film Capacitor™**  
**140  $\mu$ F, 3500 Vdc**

### Electrical Specifications

**SBE Part #:** 774D107

**Capacitance/Tolerance:** 140  $\mu$ F  $\pm$ 10%

**DC Voltage Rating:** 3500 Vdc

**Dielectric/Construction:** Metallized Polypropylene film.

**Dielectric Withstand Voltage:** Units 100% tested at DC potential of 4000 Volts for two minutes at 25°C.

**Peak-to-Peak Voltage:** 3,500

**ESR @ 10 kHz:** < 1.2 milliohm at +25°C, typical

**ESL:** > 50nH

**Operating Temperature:** -10°C to +75°C

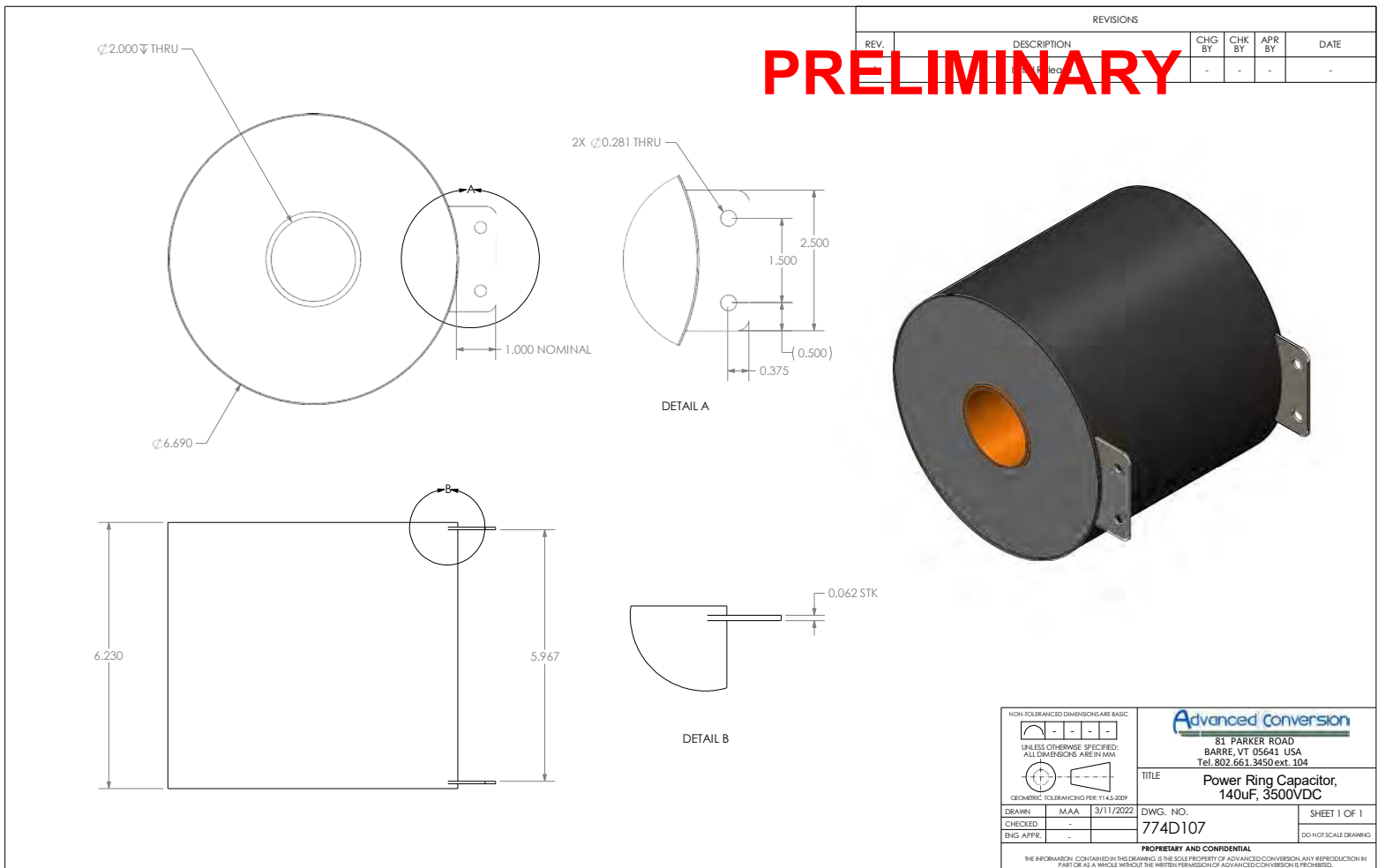
**Peak Current Rating:** 14,000 Amps Repetitive



## Mechanical Specifications

<b>Core:</b>	Hollow phenolic core with 2.0" I.D.	<b>Marking:</b> APCS	APCS company identification
<b>Terminals:</b>	Tin plated copper strap, 0.062" thick by 2.5" wide.	774D107	APCS "short form" part number
<b>Encapsulation:</b>	Black outer tape wrap and white epoxy potting.	140 $\mu$ F $\pm$ 10%	Capacitance value and Tolerance
<b>Mechanical Mounting:</b>	If possible, mounting of this unit using the core will help to provide stress relief for the terminals.	3500 Vdc	DC voltage rating
		yyww-lot#-unit	Serial number (date code, lot number, unit number)

## Layout Details:



Rev 1 3/11/22

**Advanced Conversion**  
 81 Parker Road • Barre, VT 05641 USA  
 Tel: 802-661-3450  
 Web: [www.advanced-conversion.com](http://www.advanced-conversion.com)