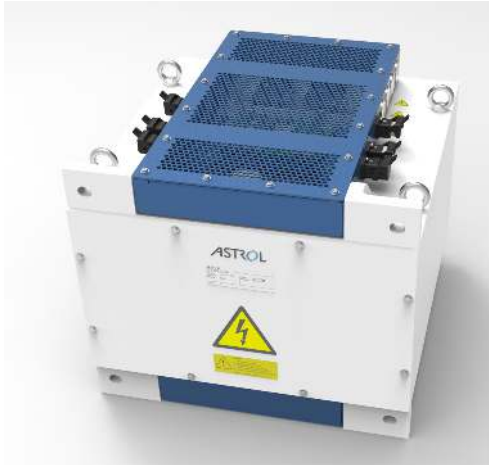


Datasheet

Marine DC-Breaker 0.5kA



Features

- > Stand-alone solution for integration in any type of DC-grid
- > High dI/dt -capability with autonomous switch-off
- > Ultra-fast break time in microsecond range
- > Bi-directional current flow
- > Liquid cooling (tap or de-ionized water)
- > Topology optimized for low power loss and maximum lifetime
- > Autonomous current monitoring and switch control
- > Internal self-diagnostic capability
- > Optical trigger and feedback
- > DNV-GL certified

Configuration

- > IP20 without heat exchanger and fan
- > Top Interface with up to 4 cable connections
- > Liquid cooling with threaded coupling

1 Introduction

Product Number: AA-21000-002

Product Code: CBM-0.5-1.5-O4-IB-BN-SC-LN-FN-01

The Marine DC-Breaker is a solid-state circuit breaker especially designed and certified for on-board electrical systems in the maritime industry. In order to protect healthy sections of the system, the breaker has to interrupt a fault current within microseconds. With this response time requirement, local fault protection must be performed autonomously by the breaker control system, without the need for external control or fault detection. In addition to the fast over-current protection, the breaker can be programmed to open according to a time-current profile. It allows the overall system to reconfigure the behavior of the DC-Breaker within certain boundaries which are pre-defined by the factory. The fast opening time of solid-state breaker limits the fault current and reduces the negative impact on the load to a minimum. The current does not reach damaging energy levels and can be interrupted without forming an arc.

2 Technical Specifications

2.1 Power Supply

Parameter	Symbol	Condition	Min.	Typ.	Max.	Unit	Notes
Input Voltage	V_{IN}	-	20	24	31	V	
Power Consumption	P_{IN}	@ $V_{IN}=24V$	16	17	20	W	
Insulation Voltage	$V_{Insulation}$	-	-	-	10	kV	

Table 1 Power supply

2.2 Electrical Characteristics

Parameter	Symbol	Condition	Min.	Typ.	Max.	Unit	Notes
DC Link Voltage	$V_{DC\ link}$	-	0.01	1.0	1.5	kV	
DC Link Current	$I_{DC\ link}$	-	-	-	0.5	kA	¹
Current Interruption	I_{Break}	-	-	-	4.5	kA	²
System Loop Inductance	$L_{DC\ link}$	-	4	-	100	μH	
Breaking Time	t_{Break}	-	-	8	10	μs	
Clearance Time	$t_{Clearance}$	typ. @ $L=4\mu H$	-	29	125	μs	²
Voltage Drop	V_{Drop}	-	-	5.6	5.8	V	
Link Length	L_{Link}	-	-	-	30	m	³

¹ Additional 20% short term overload

² Depends on customer system (inductance, voltage, current)

³ Length of any optical link

Table 2 Electrical characteristics

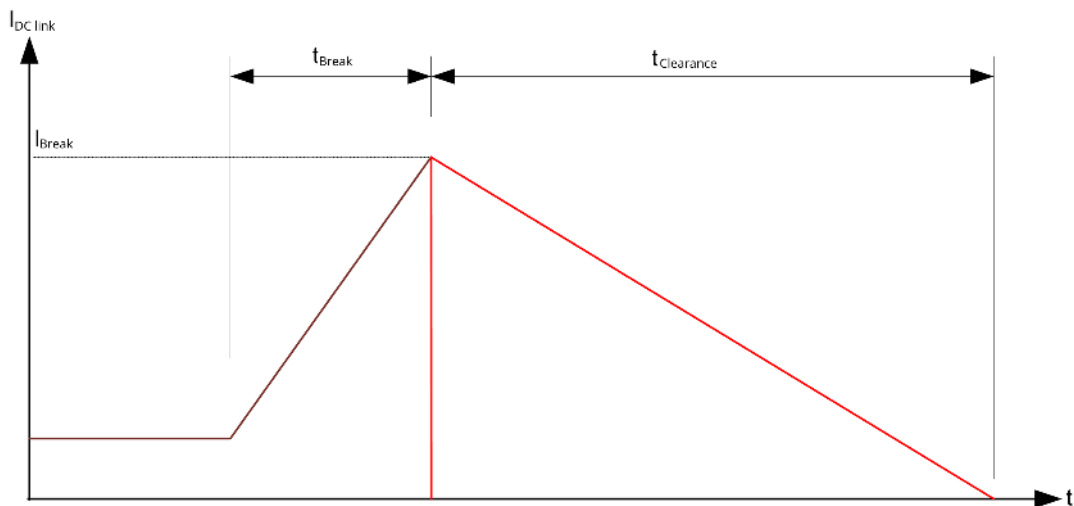


Figure 1 Short Circuit

2.3 Environmental Conditions

Parameter	Symbol	Condition	Min.	Typ.	Max.	Unit	Notes
Ambient Temperature	T _{amb}	non condensing	+5	-	+60	°C	
Storage Temperature	T _{store}	non condensing	-40	-	+85	°C	
Humidity		non condensing	-	-	95	% RH	
IP Grade		-	-	IP20	-		
Operating Altitude	Alt	-	-	-	1000	MSL	

Table 3 Environmental conditions

3 Operation

3.1 Overload and Tripping

The overload and overcurrent tripping characteristics are configurable using a parameter set with adjustments relative to the maximum continuous current I_{cMAX} .

Parameter	Symbol	Description	Min	Max	Unit	Note
Maximum Continuous Current	I_{cmax}	This current can be conducted continuously without causing an overload error.	50	$I_{dc link}$	A	
Overload Factor	K_{OL}^1	If a current $I_{cmax} \cdot K_{OL}$ is applied continuously it will cause an error after the time T_{OL} is reached.	1	1.2	-	
Overload Time	T_{OL}	The overload current can be applied continuously for this time without causing an overload error.	1	100	s	
Peak Current	I_P	Exceeding this current level causes an immediate trip.	I_{cmax}	$1.2 \cdot I_{cmax}$	A	

¹ This parameter is configured in % where a K_{OL} of 1.0 equals 100%

Table 4 Tripping characteristic parameter set

With these parameters the tripping characteristic is divided into an overload range with a thermal tripping characteristic and the overcurrent range with immediate tripping. Figure 2 illustrates this characteristic on two different examples.

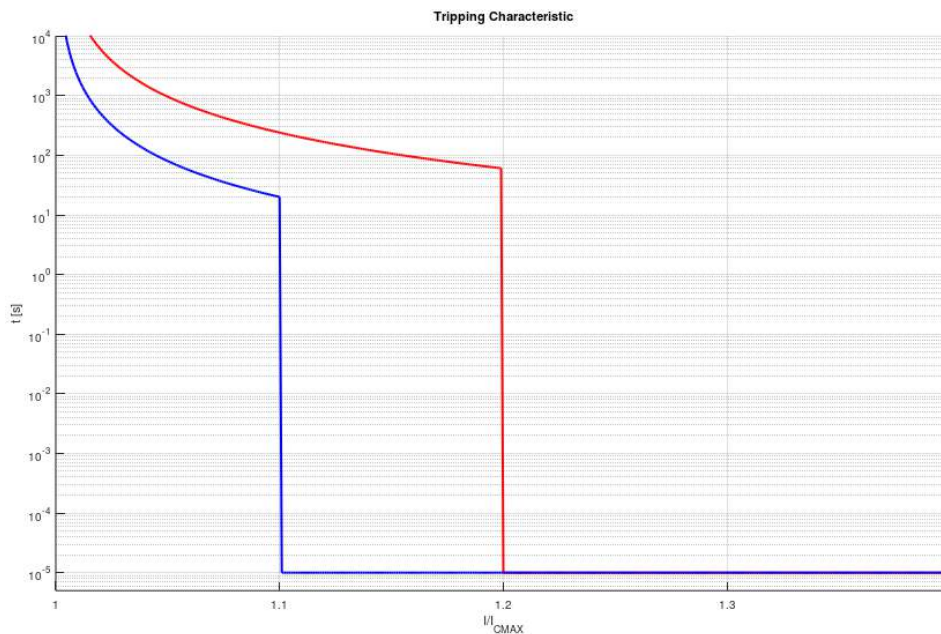


Figure 2 Tripping characteristics

Blue: $K_{OL}=1.2, T_{OL}=5s, I_P=1.1 \cdot I_N$

Red: $K_{OL}=1.2, T_{OL}=60s, I_P=1.2 \cdot I_N$

4 Mechanical Interface Description

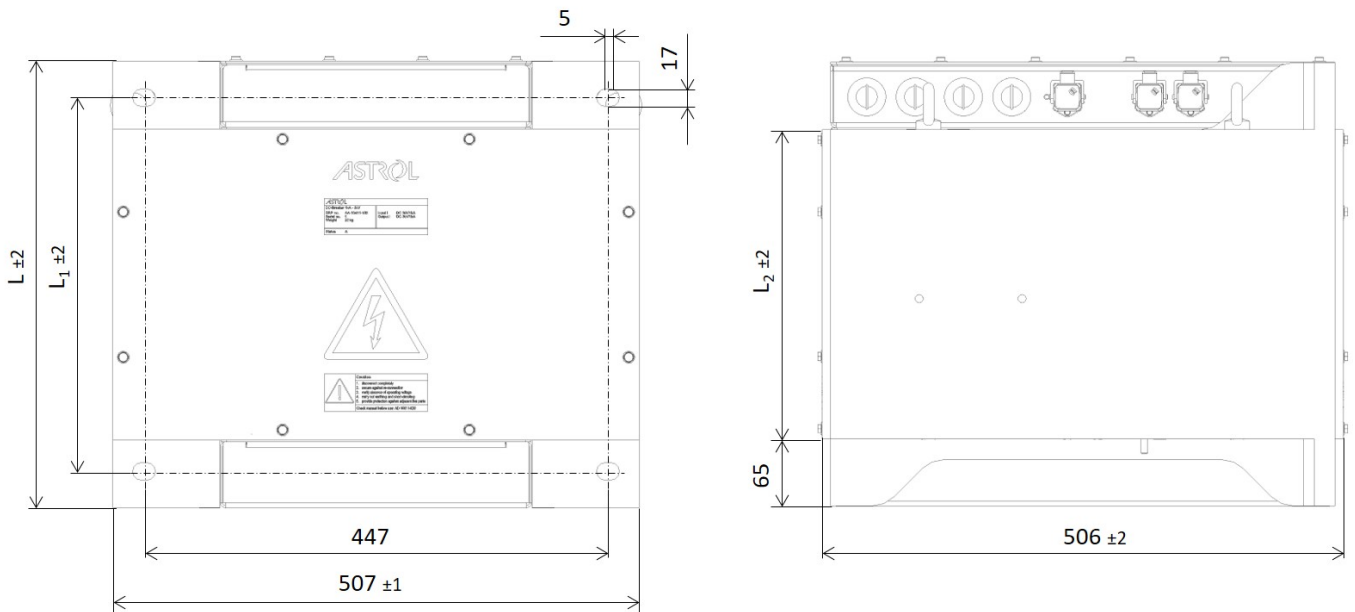


Figure 3 Mechanical dimensions DC-Breaker

Model	No	L [mm]	L1 [mm]	L2 [mm]	Weight [kg]	Notes
0.5kA	AA-21000-002	430	360	300	49	¹

¹ For more details about mechanical dimensions, refer to the dimensional drawing AD-10811-028

Table 5 Mechanical size

Rev.	Changes	Visum	Date
1.0	Initial Release	AST	06.08.2020



Figure 4 Checked



Figure 5 Approved

Astrol Electronic AG
Ahornweg 14
CH-5504 Othmarsingen
Switzerland
+41 (0)56 485 60 20
info@astrol.ch
astrol.ch

Astrol Electronic AG reserves the right to change specifications without notice