

GU-STAKPAK-RY-I1-01

Part No.: AA-10354-001



Gate drive unit for series connected StakPak™ IGBT

Features

- For series connected StakPak™ IGBTs
- Active clamp (hardwired, programmable)
- Software programmable GATE control
- For simultaneous triggering
- Adaptive GATE control
- COLLECTOR – EMITTER voltage measurement
- Status LED
- Very low jitter
- High insulation power supply
- One power supply for voltages up to 25kV
- Compact design

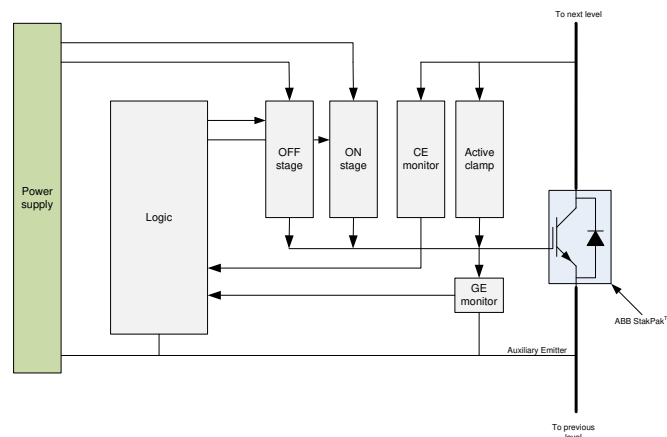
Rev.	Remarks / changes	created		checked		released	
01	Initial	AST	30.09.13	FF	2.10.13	FF	2.10.13
02	Order codes added	AST	9.10.13	FF	9.10.13	FF	9.10.13
03	Changed address	AST	25.07.14	FF	25.07.14	AST	25.07.14

1. Description

This gate drive unit is a device which is specially designed for series connected StakPak™ IGBTs, shortly named GU-StakPak. The GU-StakPak consists of the following blocks:

- High insulated power supply (up to 25kV working voltage)
- Supervision of the different internally used voltages
- Highly flexible and robust programmable logic device
- Glass or plastic fiber (POF) for triggering and feedback
- Programmable status feedback light output power
- Programmable status feedback action
- Status LEDs for easy verifying of the device function
- Very low jitter
- Adaptive GATE ON/OFF cycle
- Designed for series connection of IGBTs
- Software programmable
 - o GATE control for different IGBTs
 - o Blanking time
 - o Soft / Hard OFF switch
 - o V_{CE} levels for switch ON/OFF

2. Block diagram



3. Additional accessories

- Power supply especially designed for StakPak™ Gate drive units
- Trigger box for simultaneous switching

4. Order codes

AA-10354-001
AA-10253-xxx
AA-10289-xxx
AA-10140-xxx
AA-10365-003
AA-10252-xxx

GU-STAKPAK-RY-I1-01
CS-200W4A-01
CS-60W4A-xx (with housing)
CS-60W4A-xx (without housing)
CSINT-100W-TOG-FG-SG-OGxx
INT-LWL

xx = different versions available please ask factory
xx = different versions available please ask factory
xx = different versions available please ask factory
xx = different versions available please ask factory
xx = different versions available please ask factory

Astrol Electronic AG
Ahornweg 14
5504 Othmarsingen
Switzerland

Phone: +41 (0) 56 485 60 20
Fax: +41 (0) 56 496 62 42
e-mail: info@astrol.ch
web: www.astrol.ch