



- 1U High
- Up to 3000W (3 units) in 19" Rack
- Hotswap capable (Oring Diodes Built In)
- Low Cost
- PoE Option

FPS1000 Series

1000W Front End
Power Supplies

Key Market Segments & Applications

Power for Distributed Power Architecture
Factory Automation
RF Amplifiers

FPS Features and Benefits

Features

- 1U High
- Hotswap capable
- High Efficiency
- Full Array of Signals

Benefits

- Lower Cost of Ownership
- Suitable for N+1 Redundancy
- Less Heat Dissipated in System
- Easier System Monitoring

Specifications

ITEMS	MODELS		12V Nominal	24V Nominal	32V Nominal	48V Nominal
	(1)	(2)				
Output Voltage Range	V		10.5 - 13.2V	21.5 - 29V	28.8 - 38.4V	43 - 58V
Output Current	A		72A	40A	31A	21A
Line Regulation	-			<0.4%		
Load Regulation	-			<0.8%		
Output Noise	mV		150mV	200mV	250mV	300mV
Overvoltage Protection	V		14.3 to 15.7V	31 to 34V	41.5V to 45.5V	62 to 66V
Overcurrent Protection	-			105 - 125%, Constant Current type		
Load Sharing	-			Single wire current sharing, up to 8 units		
Remote Sense	-			Compensates for 1V on each output lead		
I ² C Monitoring	-			Optional (Specify /S)		
Signals (opto isolated)	-			DC OK, AC Fail, and Over temperature warning, high on fail		
Remote On/Off	-			On: 0 - 0.6V or short, Off: 2- 15V or open		
Auxiliary Output	-			11.2-12.5VDC 0.25A		
AC Input				85 - 265VAC, 47 - 63Hz ² (Derate 10% < 100VAC)		
Leakage Current	mA			<1.1mA at 230VAC input		
Inrush Current	A			<40A		
Hold up time (100VAC input)	-			20ms typical (at 80% rated load)		
Efficiency (typ) 100/200VAC	-		81 / 83%	84 / 86%	84 / 86%	85 / 88%
Power Factor Correction	-			EN61000-3-2 class A (20-100% load), >0.98 at full load		
Immunity	-			EN61000-4-2, -3, -4, -5, -6, -11		
EMC (conducted and radiated)	-			EN55022, level B, FCC Class B		
Operating Temperature	°C		0°C to +70°C, derate 2%/°C from 50°C to 60°C, 2.5%/°C from 60°C to 70°C			
Storage Temperature	°C		-30°C to +85°C			
Withstand Voltage	-		Input to Output 3kVAC, Input to Ground 2kVAC, Output to Ground 500VAC for 1 min.			
Cooling	-		Two internal fans, airflow from front to back (variable speed)			
Humidity	-		Operating: 10 - 90% RH, Storage: 10 - 95% RH (non condensing)			
Shock & Vibration	-		Built to meet ETS 300 019			
Safety Agency	-		UL60950-1, EN60950-1, CE Mark			
Input / Output Connector	-		Positronic PCIB24W9M400A1 (Mating #PCIB24W9F400A1)			
Front panel indicators	-		AC OK, DC OK, DC Fail			
Size (HxWxL)	mm		Stand alone: 41 x 127 x 290; Rack: 44 x 400 x 351			
Weight	g		2,000			
Warranty	yr		2			

Note 1 Via Trim pin on output connector

Note 2 47-440Hz with reduced PFC (100-265VAC)

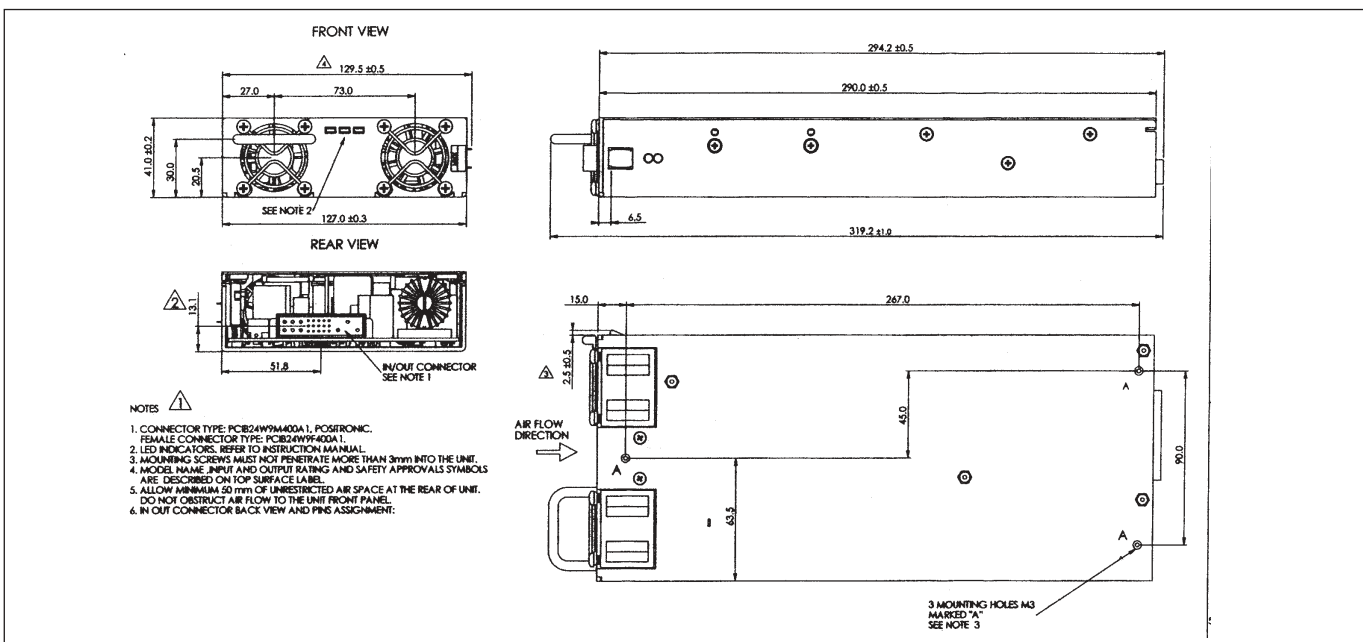
Model Selector				
Front AC Input Panel Configuration	Output Voltage	Output Current	Max Power	I ² C Interface
FPS100012/P	12V	72A	864W	No
FPS100012/PS	12V	72A	864W	Yes
FPS100024/P	24V	40A	960W	No
FPS100024/PS	24V	40A	960W	Yes
FPS100032/P	32V	31A	992W	No
FPS100032/PS	32V	31A	992W	Yes
FPS100048/P	48V	21A	1008W	No
FPS100048/PS	48V	21A	1008W	Yes
FPSS1U/P	Rack (3 slot), contains two blanking panels			
FPST1U/P	Rack with 3 individual outputs (floating)			
Rear AC Input Panel Configuration	Output Voltage	Output Current	Max Power	I ² C Interface
FPS100012	12V	72A	864W	No
FPS100012/S	12V	72A	864W	Yes
FPS100024	24V	40A	960W	No
FPS100024/S	24V	40A	960W	Yes
FPS100032	32V	31A	992W	No
FPS100032/S	32V	31A	992W	Yes
FPS100048	48V	21A	1008W	No
FPS100048/S	48V	21A	1008W	Yes
FPSS1U	Rack (3 slot), contains two blanking panels			
FPST1U	Rack with 3 individual outputs (floating)			

Options	
Suffix	Description
/POE*	1500VAC Output to Ground Isolation (output noise 400mV)
*FPS100048 only	

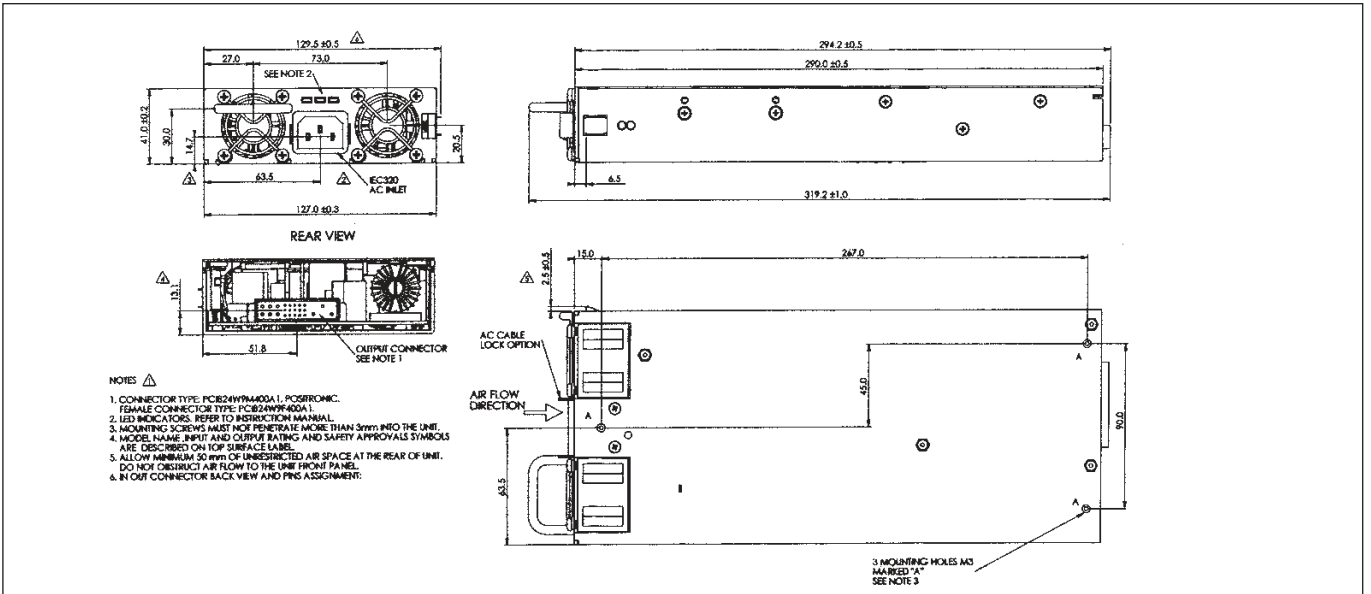
Full System (3 Modules & FPS s1U rack)

FPS3000 -	XX	/ X	
	12	BLANK	= Standard
	24	S	= I ² C
	32	P	= FRONT AC INPUT
	48		

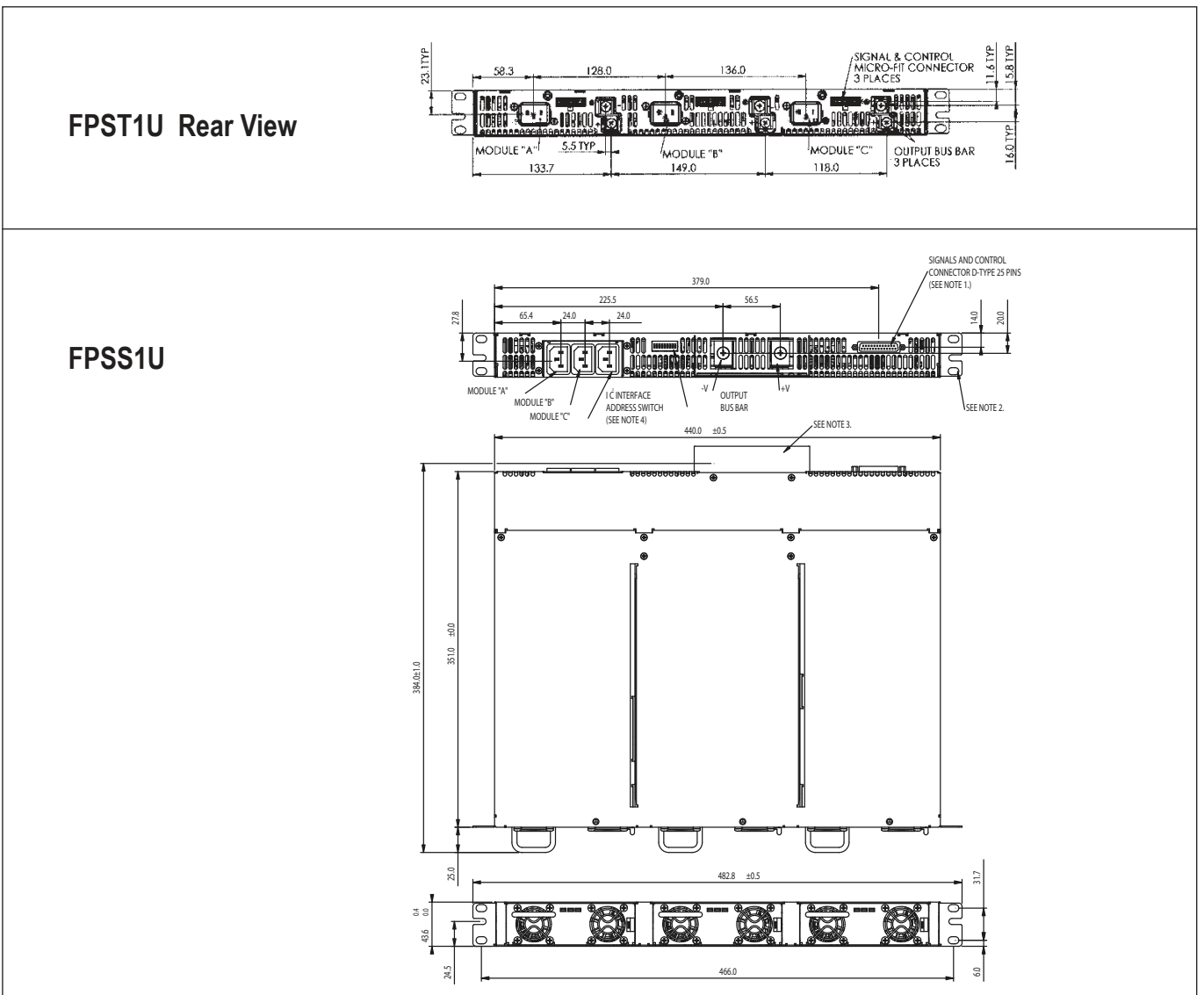
Outline Drawing FPS1000 Series



Outline Drawing FPS1000/P Series



Outline Drawing FPS Racks





TDK-Lambda France SAS

ZAC des Delaches
 CS 41077
 9 rue Thuillere
 91978 Villebon Courtaboeuf
 France
 Tel: +33 1 60 12 71 65
 Fax: +33 1 60 12 71 66
france@fr.tdk-lambda.com
www.fr.tdk-lambda.com



Italy Sales Office

Via dei Lavoratori 128/130
 20092 Cinisello Balsamo (MI)
 Italy
 Tel: +39 02 61 29 38 63
 Fax: +39 02 61 29 09 00
info.italia@it.tdk-lambda.com
www.it.tdk-lambda.com



Netherlands

info@tdk-lambda.nl
www.tdk-lambda.nl



TDK-Lambda Germany GmbH

Karl-Bold-Strasse 40
 77855 Achern
 Germany
 Tel: +49 7841 666 0
 Fax: +49 7841 5000
info.germany@de.tdk-lambda.com
www.de.tdk-lambda.com



Austria Sales Office

Aredstrasse 22
 2544 Leobersdorf
 Austria
 Tel: +43 2256 655 84
 Fax: +43 2256 645 12
info.germany@de.tdk-lambda.com
www.de.tdk-lambda.com



Scandinavia Sales Office

Valdemarsgade 7
 4100 Ringsted
 Denmark
 Tel: +45 24 63 95 65
 Fax: +45 69 80 44 99
info@de.tdk-lambda.com
www.emea.tdk-lambda.com



Switzerland Sales Office

Bahnhofstrasse 50
 8305 Dietlikon
 Switzerland
 Tel: +41 44 850 53 53
 Fax: +41 44 850 53 50
info@de.tdk-lambda.com
www.de.tdk-lambda.com



TDK-Lambda UK Ltd.

Kingsley Avenue
 Ilfracombe
 Devon EX34 8ES
 United Kingdom
 Tel: +44 (0) 12 71 85 66 66
 Fax: +44 (0) 12 71 86 48 94
powersolutions@uk.tdk-lambda.com
www.uk.tdk-lambda.com



TDK-Lambda Ltd.

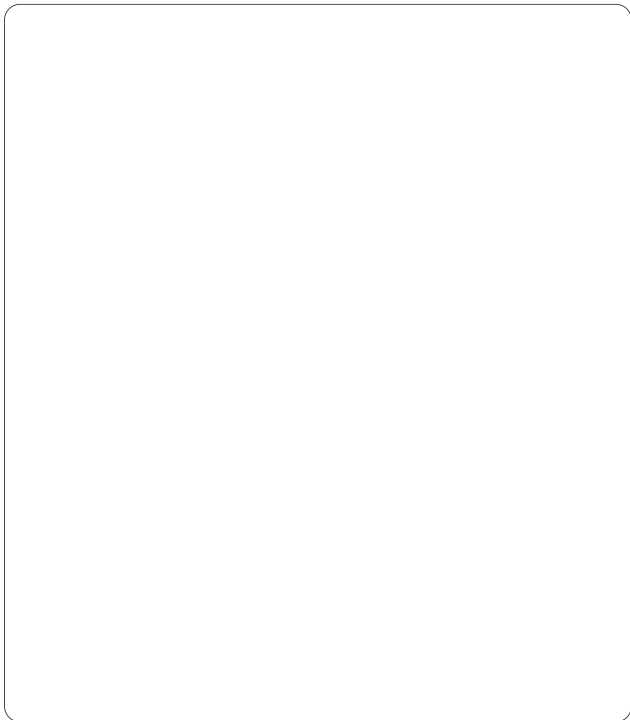
Kibbutz
 Givat Hashlosha 48800
 Israel
 Tel: +9 723 902 4333
 Fax: +9 723 902 4777
info@tdk-lambda.co.il
www.tdk-lambda.co.il



C.I.S.

Commercial Support:
 Tel: +7 (495) 665 2627
Technical Support:
 Tel: +7 (812) 658 0463
info@tdk-lambda.ru
www.tdk-lambda.ru

Local Distribution



www.emea.tdk-lambda.com