



- 1U High
- Up to 10kW in 19" Rack
- Hot Swap Capable
- High Efficiency

TH Series

1200W to 2500W

Front End Power Supplies

Key Market Segments & Applications

Power for distributed Power Architecture
 Factory Automation

TH Features and Benefits

Features

- 1U High
- HotSwap Capable
- High efficiency
- Full array of signals

Benefits

- Utilises less cabinet space
- Suitable for N+1 redundancy
- Higher Density
- Easier System Monitoring

Specifications

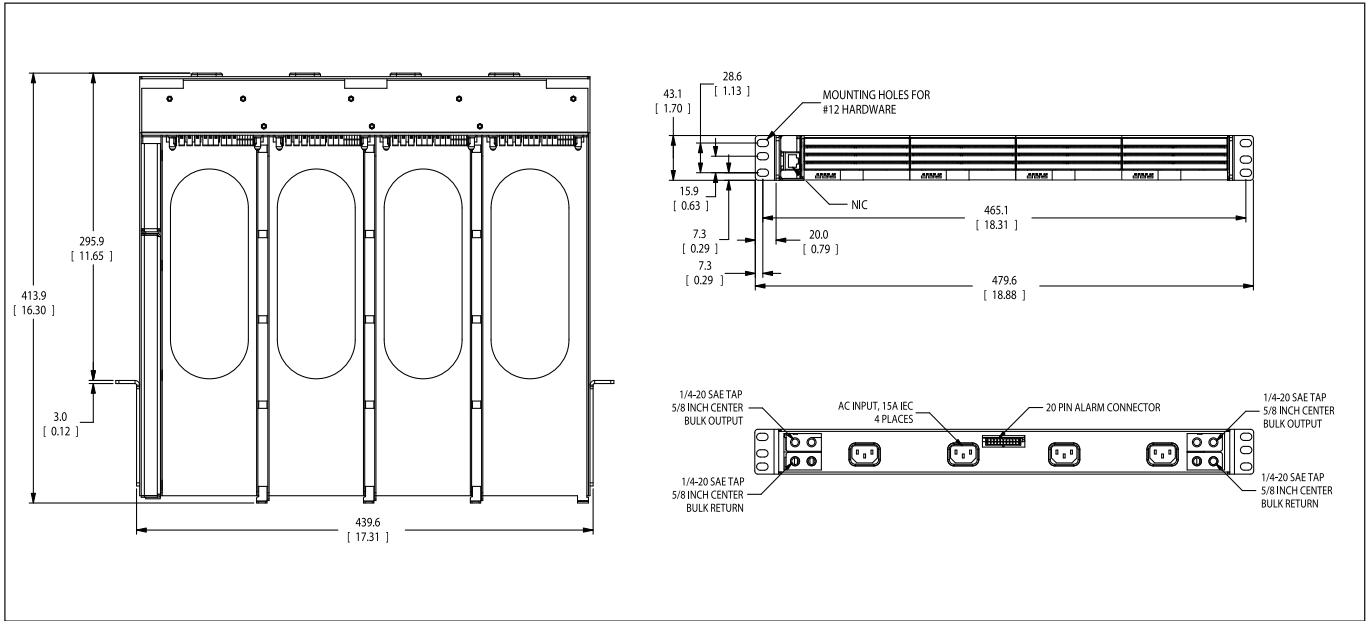
ITEMS	MODEL	TH120012(5)	TH120024	TH120048	TH250048 (5)
		12V Nominal	24V Nominal	48V Nominal	
Output Voltage Range	VDC	10.5-14	21-28	42-56	42-56
Total Regulation	%			±1%	
Output Current	A(max)	100	50	25	50
Current limit (1)	A	120	60	30	60
Short Circuit Current	%	150	75	37	75
Output Noise	mV	250mV peak to peak (10kHz to 20MHz)			
Output Rise Time	ms	100-400 ms			
Dynamic Response	%	3% in 10ms for a 10-100% load change			
Overvoltage Protection (1)	VDC	13-15	27-30	50-60	50-60
Load Sharing	%	±5%			
I2C Programming	-	Set output Volt, Monitors AC present, Converter OK, Thermal Profile, Fan fail			
Signals (opto isolated) (4)	-	AC Fail, Module Alarm, Temp Alarm			
Remote On/Off	V	Shuts down outputs by applying 3.3 to 5V			
Auxiliary Outputs (3)	-	12V@100mA			
AC Input	VAC	90-264	90-264	90-264	180-264
Input Frequency	Hz	47-63			
Power Factor	-	0.99 typ. @ 230VAC, full load, meets EN61000-3-2			
Inrush Current (2)	A	30 amps peak			
Efficiency (at full load)	%	86	90	92	93
Immunity	-	EN61000-4-2,-3,-4,-5,-6,-8,-11			
EMC (conducted and radiated)	-	EN55022, Level B, FCC Class B			
Operating Temperature	°C	-40 to 70, derate linearly to 60% load above 50°C			
Storage Temperature	°C	-40 to 85			
Humidity	%	5 to 95 (non-condensing)			
Altitude	ft	-200 to 8000			
Shock	G	IEC68-2-27, Mil-STD-810E, 20G			
Vibration	Hz	IEC68-2-64 (random) 20-2000Hz, 30 minutes			
Safety Agency		UL60950-1, CSA 22.2 No. 60950-00, EN60950-1, CE Mark			
Size (L x W x H)	mm	362 x 102 x 43 (stand alone), 414 x 440 x 43 (THR4 Rack)			
Weight	Kg	Stand alone unit 2.7kg, Rack 4.05kg			
Warranty	-	2 Years			

1. Adjustable via 1°C or through Lambda Network Interface Card 2. Excludes Xcaps in the EMC input filter 3. Operates independent of main DC output and is referenced to (-)Vout
 4. All three signals share a common return - logic ground 5. Use Rack Model THR400

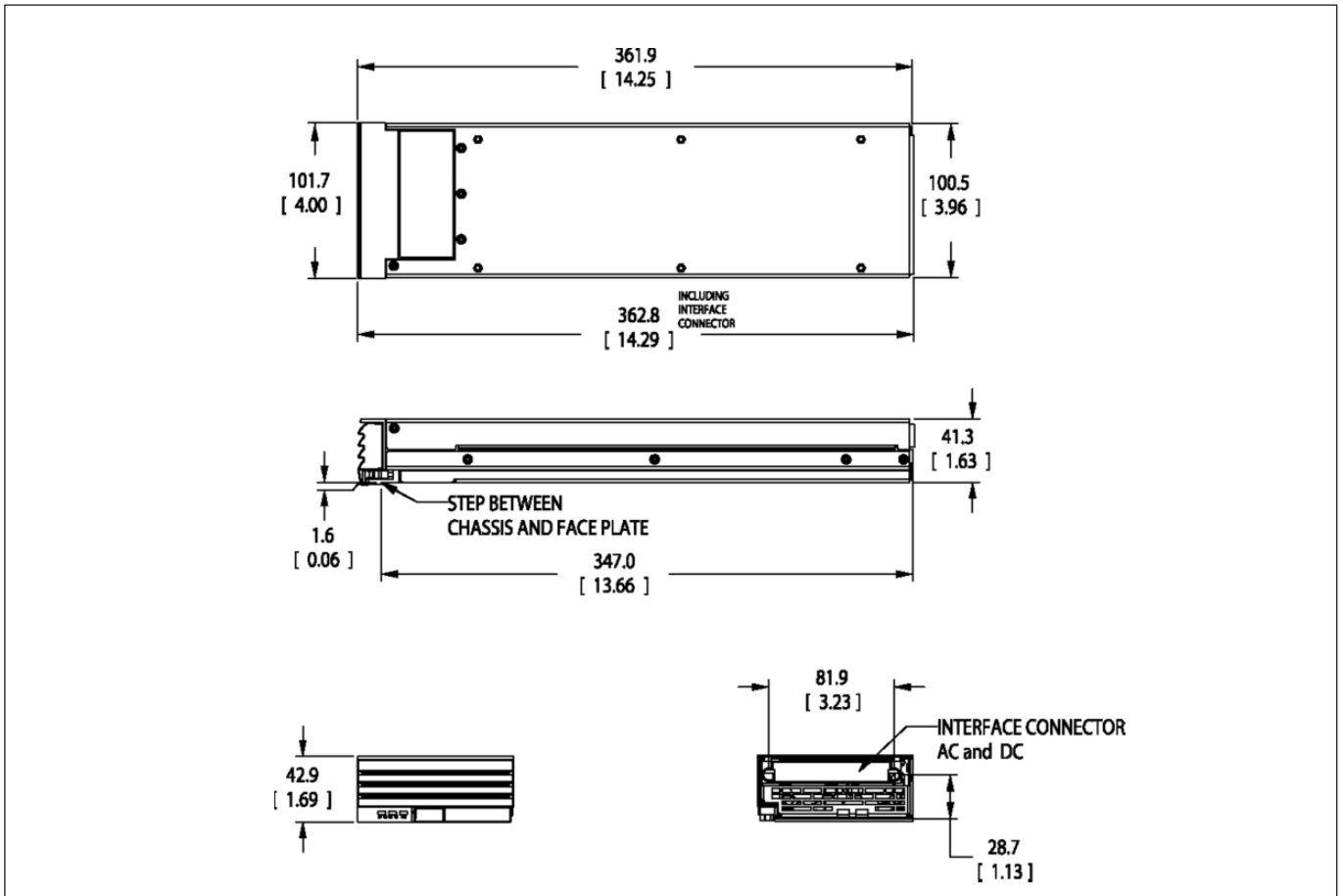
Model Selector			
Model	Output Voltage	Output Current	Maximum Power
TH120012 (5)	12V	100A	1200W
TH120024	24V	50A	1250W
TH120048	48V	25A	1250W
TH250048 (5)	48V	50A	2500W
THR4	19" Rack holds up to 4 TH Modules. 200A Max. output current		
THR400	19" Rack for 400A output holds up to 4 TH Modules.		
	Screw terminal mains input connection		
THRBP	Blanking panel for one module slot		
THR4NIC	Network interface card for 48V systems		
THR4NIC12	Network interface card for 12V systems		
THR4NIC24	Network interface card for 24V systems		
TLCK232	RS232 Communications Kit		
TLRC01	Signal Cable		

Alarm Connector		
Mating Housing	Molex Microfit	43025-2000
Mating Terminal	Molex Microfit	43030-0002

Outline Drawing TH Rack



Outline Drawing TH Series



TDK-LAMBDA EMEA

www.emea.tdk-lambda.com



TDK-Lambda France SAS

Route de Grivery
ZAC des Delaches
CS 41077
91978 Courtaboeuf Cedex
France
Tel: +33 1 60 12 71 65
Fax: +33 1 60 12 71 66
france@fr.tdk-lambda.com
www.fr.tdk-lambda.com



Italy Sales Office
Via dei Lavoratori 128/130
20092 Cinisello Balsamo (MI)
Italy
Tel: +39 02 61 29 38 63
Fax: +39 02 61 29 09 00
info.italia@it.tdk-lambda.com
www.it.tdk-lambda.com



TDK-Lambda Germany GmbH

Karl-Bold-Strasse 40
77855 Achern
Germany
Tel: +49 7841 666 0
Fax: +49 7841 5000
info.germany@de.tdk-lambda.com
www.de.tdk-lambda.com



Austria Sales Office
Aredstrasse 22
2544 Leobersdorf
Austria
Tel: +43 2256 655 84
Fax: +43 2256 645 12
info.germany@de.tdk-lambda.com
www.de.tdk-lambda.com



TDK-Lambda UK Ltd.

Kingsley Avenue
Ilfracombe
Devon EX34 8ES
United Kingdom
Tel: +44 (0) 12 71 85 66 66
Fax: +44 (0) 12 71 86 48 94
powersolutions@uk.tdk-lambda.com
www.uk.tdk-lambda.com



Nemic Lambda Ltd.

Kibbutz
Givat Hashlosha 48800
Israel
Tel: +9 723 902 4333
Fax: +9 723 902 4777
info@nemic.co.il
www.nemic.co.il



Russia

Technical Support:
St Petersburg
Tel: +7 (812) 6580463
Sales:
Moscow
Tel: +7 (499) 7557732
info@tdk-lambda.ru
www.tdk-lambda.ru

LOCAL DISTRIBUTION

